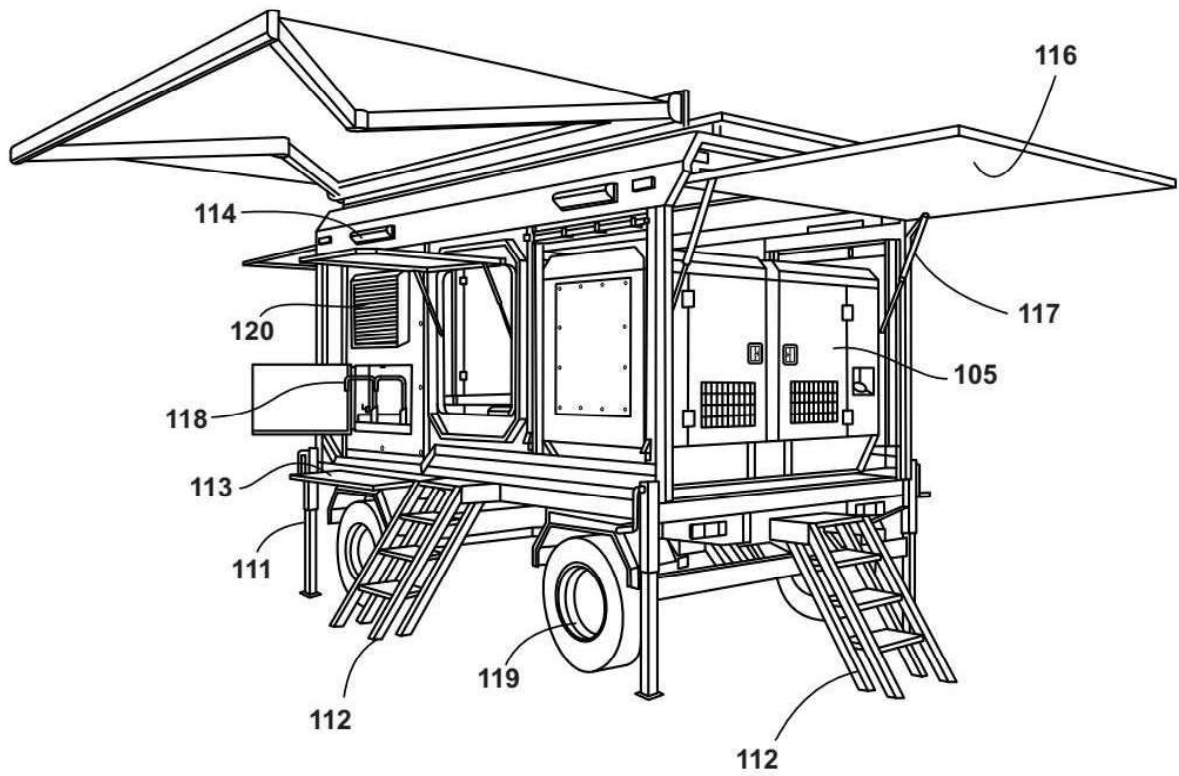


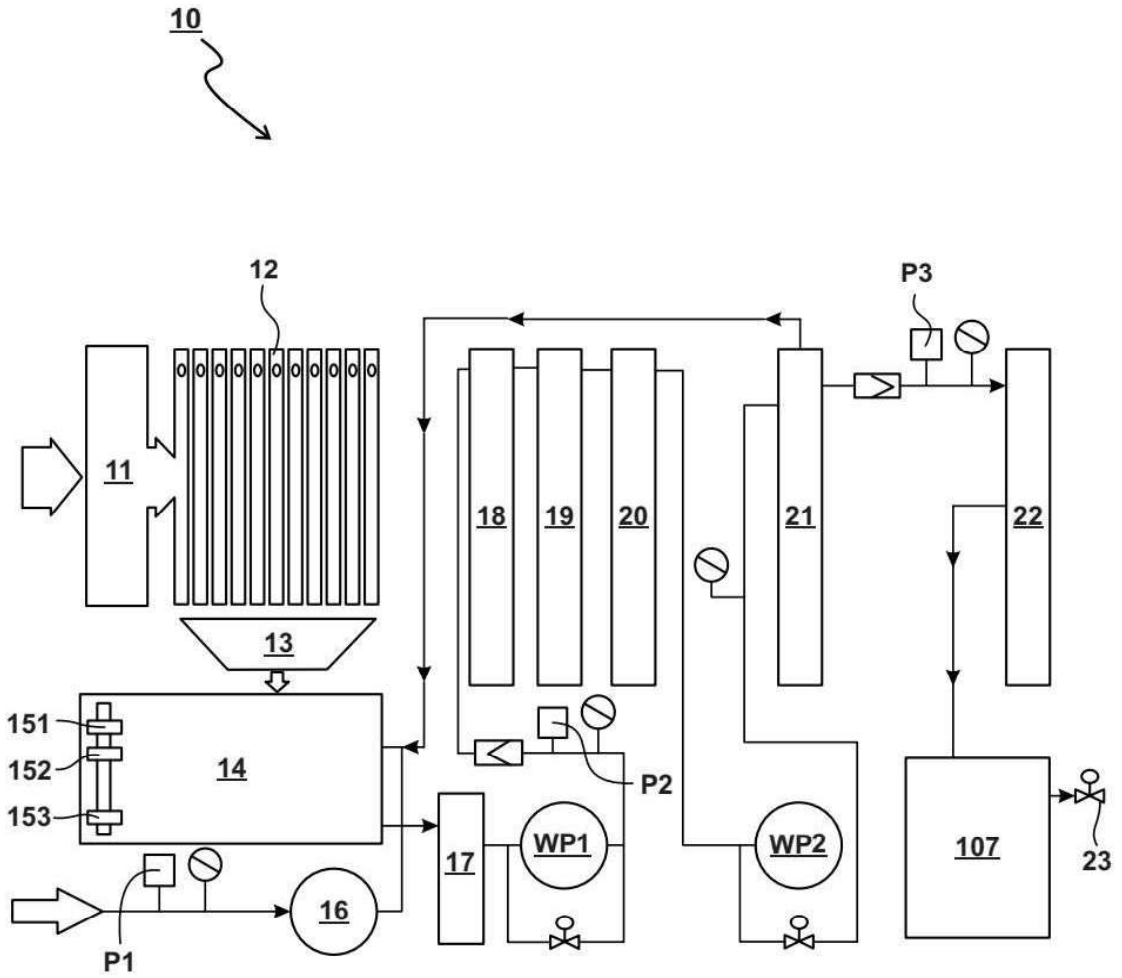
**FIG. 1**

*Dennis J. Abella*  
**DENNIS J. ABELLA**  
Applicant / Maker



**FIG. 2**

  
**DENNIS J. ABELLA**  
Applicant / Maker



**FIG. 3**

*Dennis J. Abella*  
**DENNIS J. ABELLA**  
Applicant / Maker